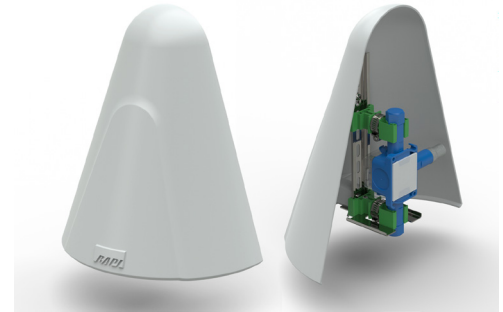


Overview & Identification

External temperature, humidity and air quality sensors are affected by radiant heat from the surfaces of buildings and parking lots. The BAPI Weather Shade effectively blocks the radiant heat, improving the accuracy of the sensor.

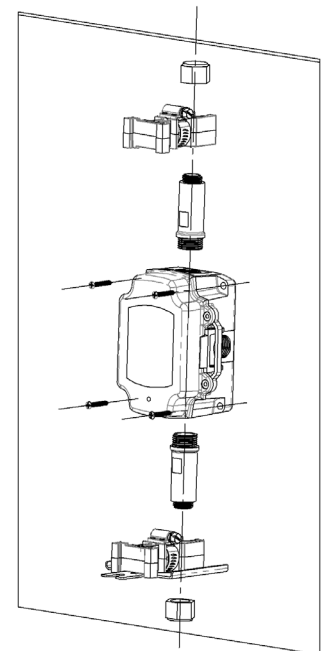
The pre-assembled Weather Shade Kit includes a shade and din rail bracket, two capped mount tubes, one adjustable clamp and one adjustable clamp with retention plate.



Mounting

1. Mount Temp/Humidity sensor on north wall.
2. Screw probes into top and bottom mount holes. Remove caps. (see Fig. 1)
3. Attach weather shade clamp without bracket to probe on top of sensor. Tighten hose clamp. Screw in cap. (see Fig. 1)
4. Attach weather shade clamp with bracket to probe on bottom of sensor. Bracket must be on bottom. Tighten hose clamp. Screw in cap. (see Fig. 1)
5. Slide Weather Shade DIN rail into the inner slot on both clamps. (see Fig. 2)
6. Set bracket to flush with DIN rail. Slide wing nut to retain bracket. Tighten. (see Fig. 3)

Fig. 1: Mounting outdoor air sensor, screwing in probes and attaching the top and bottom Weather Shade clamps.



TRANSPARENCY ONLY FOR REFERENCE

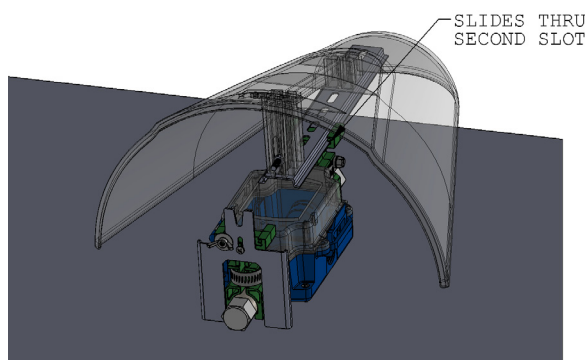


Fig. 2: Slide the Weather Shade DIN rail into the INNER slot on both clamps.

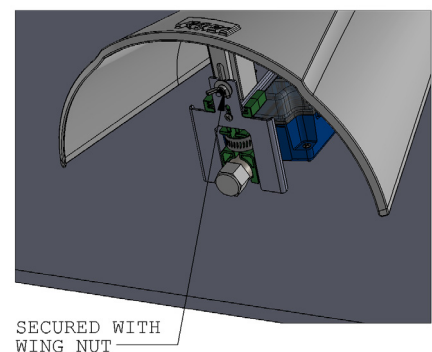


Fig. 3: Set bracket to flush with DIN rail. Slide wing nut to retain bracket. Tighten.

Specifications subject to change without notice.



Weather Shade Kit (BA/WSK)

Instructions

38242_ins_weather_shade

rev. 02/02/17

Specifications

Shade Material:

UV-stabilized Polycarbonate

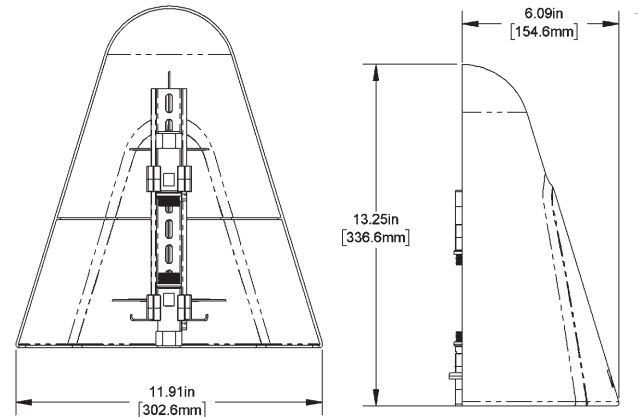
Shade Material Ratings:

Flammability: UL 94

UV Exposure: UL746C

Reflectivity: 87%

Emissivity: 90



Diagnostics

Possible Problem

Weather Shade is appears loose or not firmly mounted.

Weather shade does not sit parallel to the wall

Possible Solution

Tighten hose clamps and make sure wingnut is firmly engaged to bottom plate.

Make sure the DIN rail is through the same slot in both clamps.

Specifications subject to change without notice.