

Logic Control General Purpose Relays

CR420

Plug-In Relays

Application

The CR420 general purpose plug-in relays are commonly used for low cost switching in many industrial control circuits. Typical applications include industrial equipment, machine tool, HVAC, lighting, vending, commercial appliances, elevators, and spa controls.

These relays and sockets are powerful and highly cost effective. Versions are available with AC and DC coils, plug-in or direct flange mounting, and multiple contact configurations.

Features

- Cost Effective: Competitive every day prices make these relays an excellent solution for low voltage industrial switching.
- Powerful: From 5 Amp (4 pole) to 30 Amp (1 pole), these relays handle large loads in a compact package.
- Reliable Operation: 100% tested, ensuring performance the first time. The long electrical life will give confidence and satisfied customers.
- Mechanical Indicator/Manual Operator: Helps field service personnel test control circuits.
- LED Indicating Lamp: Easily show coil status under low light conditions.
- IP20 Finger-Safe Sockets: Protects users from screws during termination.

Product Number Selection Instructions

1. Specify a complete product number by including coil suffix in place of *, see coil suffix table for coil codes. Please consult factory if desired product configuration does not appear.

Reference Publications

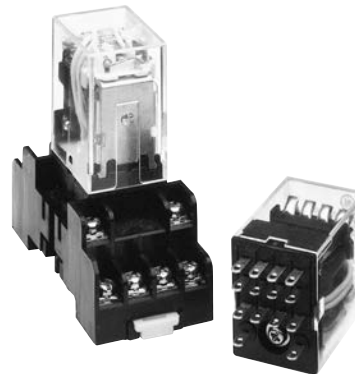
Pricing and Selection Guide

DEP-115

Section 10



CR420K General Purpose Plug-In Relays








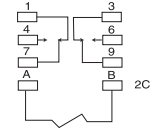
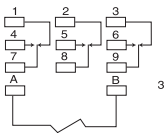
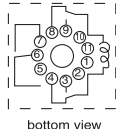

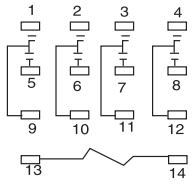
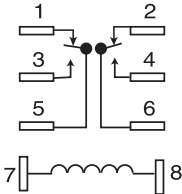
CR420M General Purpose Plug-In Relays



Logic Control General Purpose Relays CR420 Plug-In Relays

Section 10

General Purpose Plug-in Relays at a Glance

Product Series	CR420H	CR420J	CR420K	CR420M	CR420N
					
Connection diagram		 	 bottom view  bottom view		
Approval & Standards	UL, CSA, CE	UL, CSA, CE	UL, CSA, CE	UL, CSA, CE	UL, CSA, CE
Contact Arrangements	SPDT (DB-DM), DPDT, 3PDT	3PDT	DPDT, 3PDT	4PDT	SPDT, DPDT, 4PDT
Contact Material	AgCdO	Ag Alloy	Ag	Ag	AgCdO
Maximum Contact Ratings	SPDT-30A @ 240VAC DPDT-25A @ 240VAC 3PDT-20A @ 240VAC	DPDT-13A @ 240VAC 3PDT-13A @ 240VAC	SPDT-10A @ 240VAC, 28 VDC 1/3 HP @ 120VAC 1/2 HP @ 240VAC	5A @ 240VAC, 28 VDC 1/10 HP @ 120/24VAC	SPDT-15A @ 240VAC DPDT-10A @ 240VAC 4PDT-10A @ 240VAC
Mechanical Life	10,000,000 operations	10,000,000 operations	10,000,000 operations	10,000,000 operations	10,000,000 operations
Electrical Life at Rated Load	100,000 operations	100,000 operations	100,000 operations	100,000 operations	100,000 operations
Nominal Coil Voltage	6-240VAC, 12-110 VDC	6-240VAC, 24-125 VDC	6-240VAC, 12-110 VDC	6-240VAC, 12-110 VDC	6-240VAC, 12-110 VDC
Mounting Type	Socket, Flange, PCB	Socket, Side Flange	Socket	Socket, Flange, PCB	Socket, Flange, PCB
Indicating Options	Manual Operator and/or LED indicator	None	Manual Operator and/or LED indicator	Manual Operator and/or LED indicator	Manual Operator and/or LED indicator



Logic Control General Purpose Relays

Section 10

CR420

Plug-In Relays

SPDT, 30A, 240 VAC

DPDT, 25A, 240 VAC

3PDT, 20A, 240 VAC

DPDT, 13A, 240 VAC

3PDT, 13A, 240 VAC

CR420H

No. of Poles	Contacts	Contact Rating	Mounting type	Indicating Options	Product Number	GO-10PR
1	SPDT (DM/DB)	30A	Side Flange	None	CR420HFAZ11*	
1	SPDT (DM/DB)	30A	Top Flange	None	CR420HTAZ11*	
2	DPDT	25A	Side Flange	None	CR420HFA022*	
2	DPDT	20A	Socket	None	CR420HFA022*	
2	DPDT	25A	Socket	Push to test & LED	CR420HPC022*	
2	DPDT	25A	Socket	LED Indicator	CR420HPL022*	
3	3PDT	20A	Side Flange	None	CR420HFA033*	
3	3PDT	25A	Socket	None	CR420HFA033*	
3	3PDT	20A	Socket	Push to test & LED	CR420HPC033*	
3	3PDT	20A	Socket	LED Indicator	CR420HPL033*	
3	3PDT	20A	Top Flange	None	CR420HTA033*	

Specify a complete product number by including coil suffix in place of *, see Coil Suffix Table below for coil codes.
Please consult factory, if desired product configuration does not appear.



Coil Suffix Table

AC	6V	12V	24V	120V	240V
	A	B	C	J	N
DC	12V	24V	48V	110V	125V
	2	4	7	9	5

Accessories

Description	Product Number
Socket for Panel/DIN Rail Mount	CR420HA
Hold-down Clip ¹	CR420HAS

Contact factory regarding versions not shown here.

¹Quantity is 1 per product number; order 1 per socket. Quantity and selection based on socket, not on relay.

CR420J

No. of Poles	Contacts	Contact Rating	Mounting type	Indicating Options	Product Number	GO-10PR
2	DPDT	13A	Side Flange	None	CR420JFA022*	
2	DPDT	13A	Socket	None	CR420JPA022*	
2	DPDT	13A	Socket	Push to test & LED	CR420JPC022*	
2	DPDT	13A	Socket	LED Indicator	CR420JPL022*	
2	DPDT	13A	Top Flange	None	CR420JTA022*	
3	3PDT	13A	Side Flange	None	CR420JFA033*	
3	3PDT	13A	Socket	None	CR420JPA033*	
3	3PDT	13A	Socket	Push to test & LED	CR420JPC033*	
3	3PDT	13A	Socket	LED Indicator	CR420JPL033*	
3	3PDT	13A	Top Flange	None	CR420JTA033*	

Specify a complete product number by including coil suffix in place of *, see Coil Suffix Table below for coil codes.
Please consult factory, if desired product configuration does not appear.



Coil Suffix Table

AC	6V	12V	24V	120V	240V
	A	B	C	J	N
DC	12V	24V	48V	110V	125V
	2	4	7	9	5

Accessories

Description	Product Number
Socket for Panel/DIN Rail Mount	CR420HA
Hold-down Clip ¹	CR420HAS

Contact factory regarding versions not shown here.

¹Quantity is 1 per product number; order 1 per socket. Quantity and selection based on socket, not on relay.



Product Number Selection Instructions: See page 10-2

Logic Control General Purpose Relays

Section 10

CR420

Plug-In Relays
DPDT, 10A, 240 VAC
3PDT, 10A, 240 VAC
DPDT, 5A, 240 VAC
4PDT, 5A, 240 VAC

CR420K

No. of Poles	Contacts	Contact Rating	Mounting type	Indicating Options	Product Number	GO-10PR
2	DPDT	10A	Socket	Push to test & LED	CR420KPC022*	
2	DPDT	10A	Socket	Push to Test	CR420KPM022*	
3	3PDT	10A	Socket	Push to test & LED	CR420KPC033*	
3	3PDT	10A	Socket	Push to Test	CR420KPM033*	

Specify a complete product number by including coil suffix in place of *, see Coil Suffix Table below for coil codes.
Please consult factory, if desired product configuration does not appear.



Coil Suffix Table

AC	6V	12V	24V	120V	240V
	A	B	C	J	N
DC	12V	24V	48V	110V	125V
	2	4	7	9	5

Accessories

Description	Product Number
Socket for Panel/DIN Rail Mount (DPDT)	CR420KA2
Socket for Panel/DIN Rail Mount (3PDT)	CR420KA3
Socket for Panel/DIN Rail Mount (DPDT)	CR420KA21
Socket for Panel/DIN Rail Mount (3PDT)	CR420KA31
Hold-down Clips ²	CR420KAS

Contact factory regarding versions not shown here.

²Quantity is 2 per product number; order 1 CR420KAS per socket. Quantity and selection based on socket, not on relay.

CR420M

No. of Poles	Contacts	Contact Rating	Mounting type	Indicating Options	Product Number	GO-10PR
2	DPDT	5A	Socket	None	CR420MPA022*	
2	DPDT	5A	Socket	Push to test & LED	CR420MPC022*	
2	DPDT	5A	Socket	LED Indicator	CR420MPL022*	
4	4PDT	5A	Socket	None	CR420MPA044*	
4	4PDT	5A	Socket	Push to test & LED	CR420MPC044*	
4	4PDT	5A	Socket	LED Indicator	CR420MPL044*	
4	4PDT	5A ¹	Socket	LED Indicator	CR420MPLG44*	

Specify a complete product number by including coil suffix in place of *, see Coil Suffix Table below for coil codes.
Please consult factory, if desired product configuration does not appear.

¹Au diffused contact suitable for low level switching.



Coil Suffix Table

AC	6V	12V	24V	120V	240V
	A	B	C	J	N
DC	12V	24V	48V	110V	125V
	2	4	7	9	5

Accessories

Description	Product Number
Socket for Panel/DIN Rail Mount	CR420MA
Hold-down Clips ²	CR420MAS

Contact factory regarding versions not shown here.

²Quantity is 2 per product number; order 1 CR420MAS per socket. Quantity and selection based on socket, not on relay.



Logic Control General Purpose Relays

Section 10

CR420

Plug-In Relays

SPDT, 15A, 240 VAC

DPDT, 10A, 240 VAC

4PDT, 10A, 240 VAC

CR420N

No. of Poles	Contacts	Contact Rating	Mounting type	Indicating Options	Product Number	GO-10PR
1	SPDT	15A	Socket	None	CR420NPA011*	
1	SPDT	10A	Socket	Push to test & LED	CR420NPC011*	
1	SPDT	10A	Socket	LED Indicator	CR420NPL011*	
1	SPDT	15A	Top Flange	None	CR420NTA011*	
2	DPDT	10A	Socket	None	CR420NPA022*	
2	DPDT	10A	Socket	Push to test & LED	CR420NPC022*	
2	DPDT	15A	Socket	LED Indicator	CR420NPL022*	
2	DPDT	10A	Top Flange	None	CR420NTA022*	
4	4PDT	10A	Socket	None	CR420NPA044*	
4	4PDT	10A	Socket	Push to test & LED	CR420NPC044*	
4	4PDT	10A	Socket	LED Indicator	CR420NPL044*	
4	4PDT	10A	Top Flange	None	CR420NTA044*	

Specify a complete product number by including coil suffix in place of *, see Coil Suffix Table below for coil codes.
Please consult factory, if desired product configuration does not appear.



Coil Suffix Table

AC	6V	12V	24V	120V	240V
	A	B	C	J	N
DC	12V	24V	48V	110V	125V
	2	4	7	9	5

Accessories

Description	Product Number
Socket for Panel/DIN Rail Mount	CR420NA2
Socket for Panel/DIN Rail Mount	CR420NA4
Socket for Panel/DIN Rail Mount	CR420NA21
Hold-down Clip ¹	CR420NAS
Hold-down Clips ²	CR420MAS

Contact factory regarding versions not shown here.

¹Fits CR420NA2 and NA21 sockets only. Quantity is 1 per product number; order 1 per socket. Quantity and selection is based on socket, not on relay.

²Fits CR420NA4 socket. Quantity is 2 per product number; order 1 CR420MAS per socket. Quantity and selection is based on socket, not on relay.



Product Number Selection Instructions: See page 10-2