

For Steam, Liquid or Air Applications

Job Name _____

Contractor _____

Job Location _____

Approval _____

Engineer _____

Contractor's P.O. No. _____

Approval _____

Representative _____

Series 252A

Process Steam Pressure Regulators

Sizes 1/2" – 3/4" (15 - 20mm)

Series 252A Process Steam Pressure Regulators are designed to offer highly sensitive response to reduced pressure changes and maintain fullest possible volume without appreciable reduced pressure drop. These regulators are ideal for use on applications such as oil lines, testing fixtures, autoclaves, steam tables, steam irons, single radiators, vulcanizers, sterilizers and process lines. The series 252A features a sensitivity adjuster to eliminate any vibrating condition that may arise from critical flow requirements.

Features

- Bronze body construction
- Serviceable in line
- Standard sensitivity adjuster

Models

252A – Bronze body for pressures up to 300psi (21 bars)

252AT – Tight seating for dead end and liquid service. Utilizes Teflon® valve disc, maximum operating temperatures are 300°F (204°C) at 300psi (21 bars) and 400°F (204°C) at 200psi (14 bars)

For information on 1/2" – 1" stainless steel construction, see literature ES-152SS.

Specifications

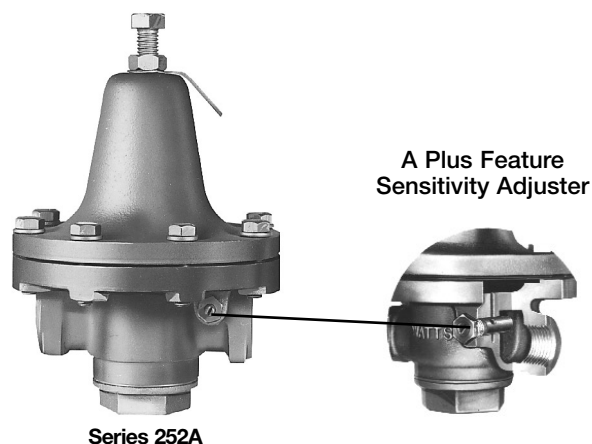
Valve shall be manufactured out of bronze and have a maximum working pressure of up to 300psi. Valve shall feature a sensitivity adjuster to eliminate vibrating conditions. Valves shall be serviceable in line and have stainless steel trim and strainer. Valve shall be a Watts Regulator Company Series 252A.

Materials

Body:	Bronze
Trim:	Stainless Steel
Strainer:	Stainless Steel
Diaphragm:	Laminated Metal
Seat:	Replaceable Stainless Steel
Disc:	Replaceable Stainless Steel

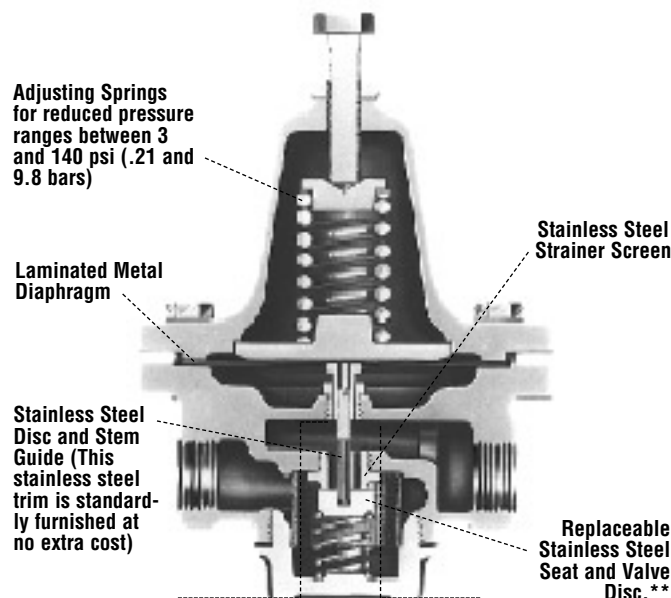
Pressure – Temperature

252A	Maximum Working Pressure: 300psi (21 bars)
252AT	Maximum Temperature: 300°F (149°C)
	Maximum Working Pressure: 300psi (21 bars), and
	Maximum Temperature: 400°F (204°C)
	Maximum Working Pressure: 200psi (14 bars)



Series 252A

Basic Design Feature



** When utilizing a Teflon® valve disc in the 252AT, the maximum operating temperatures are 300°F at 300psi (149°C at 21 bars) and 400°F at 200psi (204°C at 14 bars).

Teflon® is a registered trademark of E.I. duPont deNemours Co., Inc.

Watts product specifications in U.S. customary units and metric are approximate and are provided for reference only. For precise measurements, please contact Watts Technical Service. Watts reserves the right to change or modify product design, construction, specifications, or materials without prior notice and without incurring any obligation to make such changes and modifications on Watts products previously or subsequently sold.

Quick Reference Capacity Chart For Average Conditions

	From		From		From		From		From		From		From		From			
	psi	bar	psi	bar	psi	bar	psi	bar	psi	bar	psi	bar	psi	bar	psi	bar		
Initial Pressure	50	3.52	75	5.27	100	7.03	125	8.79	150	10.55	175	12.3	200	14.06	225	15.82	250	17.58
	Up To		Up To		Up To		Up To		Up To		Up To		Up To		Up To		Up To	
Reduced Pressure	20	1.41	35	2.46	50	3.52	60	4.22	70	4.92	80	5.62	90	6.33	100	7.03	125	8.79
	in.	mm	*Maximum Capacities in Lbs. of Steam Per Hour															
252A	½"	15	80	111	143	175	205	237	270	299	332							
252A	¾"	20	285	394	506	620	726	841	956	1060	1178							

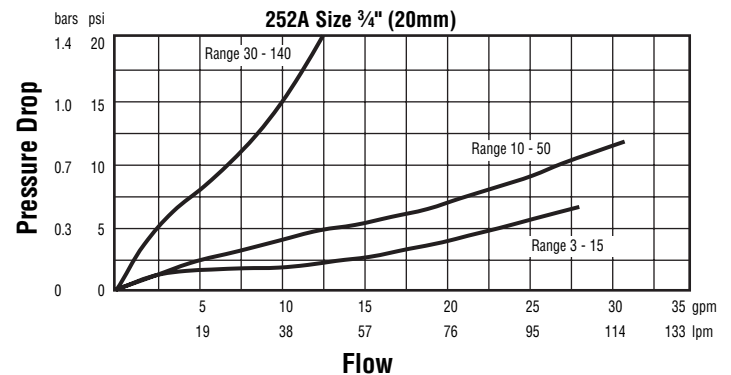
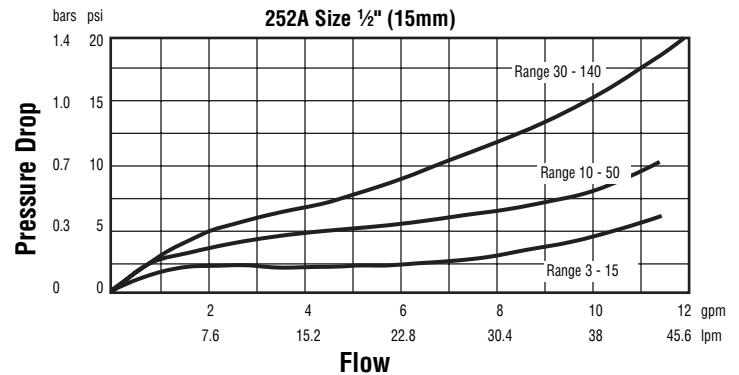
*1 Lb. Steam Equals 970 BTU Per Hour

Series 252A Adjusting Spring Range Chart

SIZE		*ADJUSTABLE RANGES		SPRING AND MODEL NO.
in.	mm	psi	bars	
½	15	3 - 15	.21 - 1.05	145
½	15	10 - 50	.70 - 3.51	146
½	15	30 - 140	2.11 - 9.84	141
¾	20	3 - 15	.21 - 1.05	145
¾	20	10 - 50	.70 - 3.51	146
¾	20	30 - 140	2.11 - 9.84	141

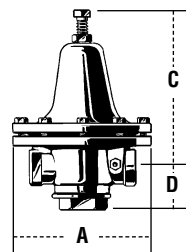
*The minimum reduced pressure ranges shown are recommended only when very sensitive regulation service is needed for specific requirements. However, all valves may be adjusted below the working range minimums shown for lower regulation or complete shut off.

Capacity



Dimensions — Weights

SIZE (DN)		DIMENSIONS				WEIGHT	
in.	mm	A		C		D	
		in.	mm	in.	mm	in.	mm
½	15	6	152	7	178	1 15/16	49
¾	20	6	152	7	178	1 15/16	49



WATTS®
REGULATOR

ISO 9001
CERTIFIED

USA: 815 Chestnut St., No. Andover, MA 01845-6098; www.wattsreg.com
Canada: 5435 North Service Rd., Burlington, ONT. L7L 5H7; www.wattscanada.ca