

For Health Hazard Applications

Job Name _____

Contractor _____

Job Location _____

Approval _____

Engineer _____

Contractor's P.O. No. _____

Approval _____

Representative _____

Series U009

Reduced Pressure Zone Assemblies

Sizes: 1/2" – 2" (15 – 50mm)

Series U009 Reduced Pressure Zone Assemblies are designed to protect potable water supplies in accordance with national plumbing codes and water authority requirements. The swivel feature in the series allows for it to be used in a variety of installations, including the prevention of health hazard cross-connections in piping systems or for containment at the service line entrance.

This series features two in-line, independent check valves, captured springs and replaceable check seats with an intermediate relief valve. Its compact modular design facilitates easy maintenance and assembly access. Sizes 1/2"– 1" (15 – 25mm) shutoffs have tee handles.

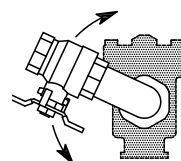
Features

- Unique swivel union
- Single access cover and modular check construction for ease of maintenance
- Top entry — all internals immediately accessible
- Captured springs for safe maintenance
- Internal relief valve for reduced installation clearances
- Replaceable seats for economical repair
- Bronze body construction for durability
- Ball valve test cocks — screwdriver slotted
- Large body passages provides low pressure drop
- Compact, space saving design
- No special tools required for servicing

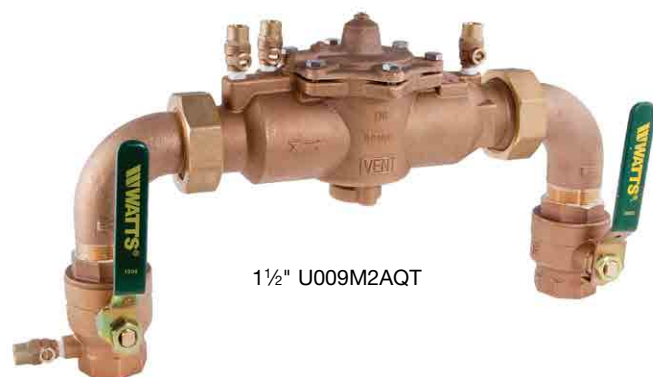
Specifications

A Reduced Pressure Zone Assembly shall be installed at each potential health hazard location to prevent backflow due to back-siphonage and/or backpressure. The assembly shall consist of an internal pressure differential relief valve located in a zone between two positive seating check modules with captured springs and silicone seat discs. Seats and seat discs shall be replaceable in both check modules and the relief valve. There shall be no threads or screws in the waterway exposed to line fluids. Service of all internal components shall be through a single access cover secured with stainless steel bolts. The assembly shall also include two resilient seated isolation valves, four resilient seated test cocks and an air gap drain fitting. The assembly shall meet the requirements of: USC Manual 8th Edition†; ASSE Std. 1013; AWWA Std. C511; CSA B64.4. Shall be a Watts Series U009.

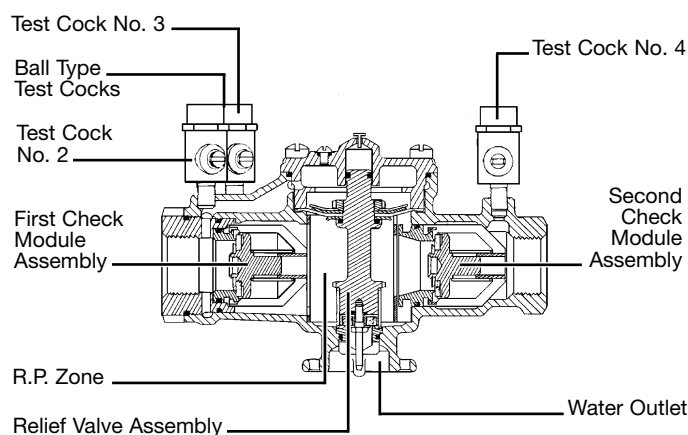
†Does not indicate approval status. Refer to Page 2 for approved sizes & models.



Unique Swivel Union



1 1/2" U009M2AQT



Now Available
WattsBox Insulated Enclosures.
 For more information, refer to literature ES-WB.

NOTICE

The information contained herein is not intended to replace the full product installation and safety information available or the experience of a trained product installer. You are required to thoroughly read all installation instructions and product safety information before beginning the installation of this product.

Available Models

Prefix:

U – union connections

Suffix:

QT – quarter-turn ball valves

S – bronze strainer

LF – without shutoff valves

AQT – ¾" – 2" (20 – 50mm) only, elbow fittings for 360° rotation

PC – internal polymer coating

SH – stainless steel ball valve handles

Note: The installation of a drain line is recommended. When installing a drain line, an air gap is necessary (see ES-AG/EL/TC).

Materials

Body: Bronze

Discs: Silicone rubber

Check Seats: Replaceable polymer

Relief Valve Seat: Removable stainless steel

Cover Bolts: Stainless steel

Pressure – Temperature

Maximum Working Pressure: 175psi (12 bar)

Temperature Range: 33°F – 180°F (0.5°C – 82°C)

Standards

USC Manual 8th Edition†

ASSE No. 1013

AWWA C511

CSA B64.4

IAPMO File No. 1563.

†Does not indicate approval status. See below for approved models.

Approvals



ASSE, AWWA, CSA, IAPMO

Approved by the Foundation for Cross-Connection Control and Hydraulic Research at the University of Southern California.

Approved models QT, AQT, PC.

UL Classified (Models with LF Suffixes)

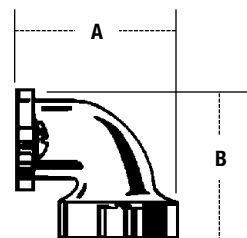
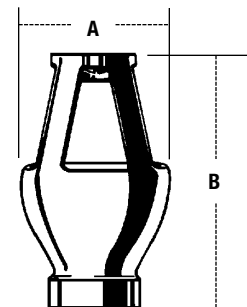
NOTICE

Inquire with governing authorities for local installation requirements

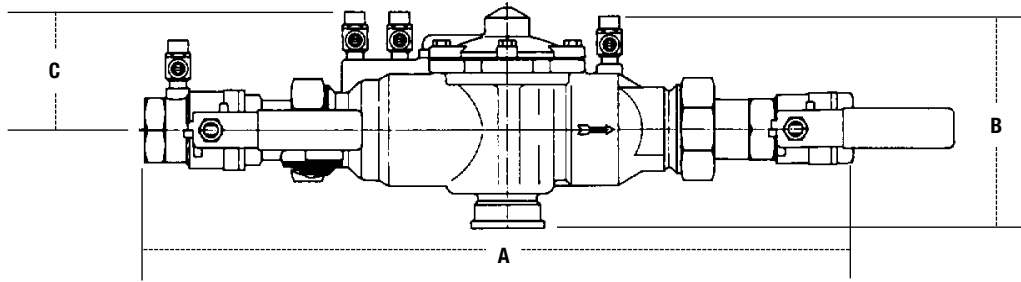
Air Gaps and Elbows

MODEL	DRAIN OUTLET for 909, U009 and 993 sizes	A		B		WEIGHT			
		in.	mm	in.	mm	lbs.	kgs.		
909AGA	¼"–½" 009, ¾" 009M2/M3	½	13	2¾	60	3½	79	.625	.3
909AGC	¾"–1" 009/909, 1"–1½" 009M2	1	25	¾	83	4⅞	124	1.50	.7
909AGF	1¼"–2" 009M1, 1¼"–3" 009/909, 2" 009M2, 4"–6" 993	2	51	4⅝	111	6¾	171	3.25	1.5
909AGK	4"–6" 909, 8"–10" 909M1	3	76	6⅝	162	9⅞	243	6.25	2.8
909AGM	8"–10" 909	4	102	7⅝	187	11¼	286	15.50	7.0
909ELA	¼"–½" 009, ¾" 009M2/M3	–	–	–	–	–	–	–	–
909ELC	¾"–1" 009/909	–	–	2¾	60	2¾	60	.38	.2
*909ELF	1¼"–2" 009M1, 1¼"–2" 009/909, 2" 009M2, 4"–6" 993	–	–	3⅝	92	3⅝	92	2	.9
*909ELH Vertical	2½"–3" 009/909	–	–	–	–	–	–	–	–

* Epoxy coated

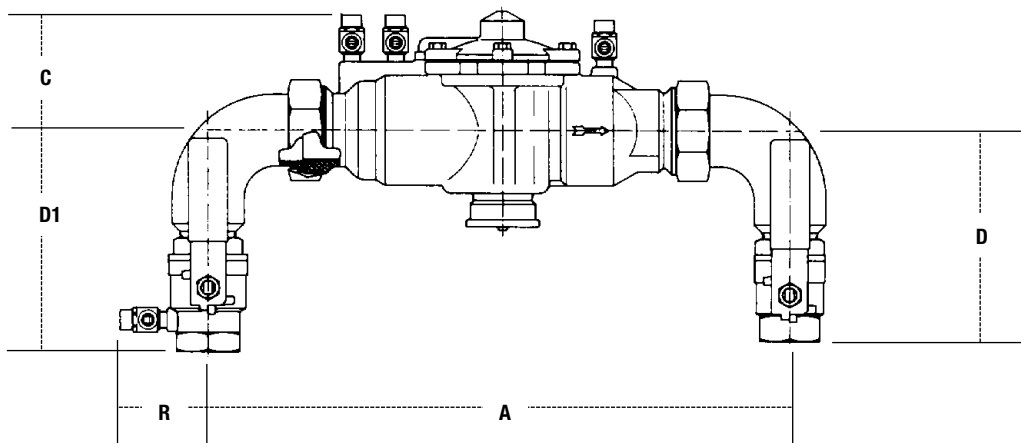


Dimensions and Weights



U009QT

MODEL	SIZE (DN)		DIMENSIONS						WEIGHT	
	in.	mm	A		B		C		lbs.	kgs.
U009QT	1/2	15	12 13/16	326	4 5/8	117	3 7/16	87	5.5	2.5
U009M2QT	3/4	20	13 3/4	349	5	127	3 3/4	95	6	2.7
U009M2QT	1	25	17 3/8	441	5 1/2	140	3 1/8	79	12.75	5.8
U009M2QT	1 1/4	32	24 1/2	622	7 3/4	197	4	100	26.5	12.0
U009M2QT	1 1/2	40	25 1/2	648	7 3/4	197	4 1/4	108	28.75	13.0
U009M2QT	2	50	27 3/8	695	7 3/4	197	4 1/4	108	32.75	14.9



U009AQT

MODEL	SIZE (DN)		DIMENSIONS										WEIGHT	
	in.	mm	A		C		D		D1		R		lbs.	kgs.
U009AQT	3/4	20	13 1/8	333	3 1/8	79	4 5/8	117	4 3/4	121	2 3/8	60	12.50	5.7
U009M2AQT	1	25	13 1/8	333	3 1/8	79	5 1/8	130	5 5/16	132	2 3/8	60	13.88	6.3
U009M2AQT	1 1/2	40	15 3/8	390	4 1/4	108	7 3/4	197	7 3/4	197	3 1/4	83	39.25	17.8
U009M2AQT	2	50	19 1/4	489	4 1/4	108	8 3/8	213	8 3/8	213	3 1/4	83	39.25	17.8

Capacities

Performance as established by an independent testing laboratory.

*Typical maximum system flow rate (7.5 feet/sec., 2.3 meters/sec.)

