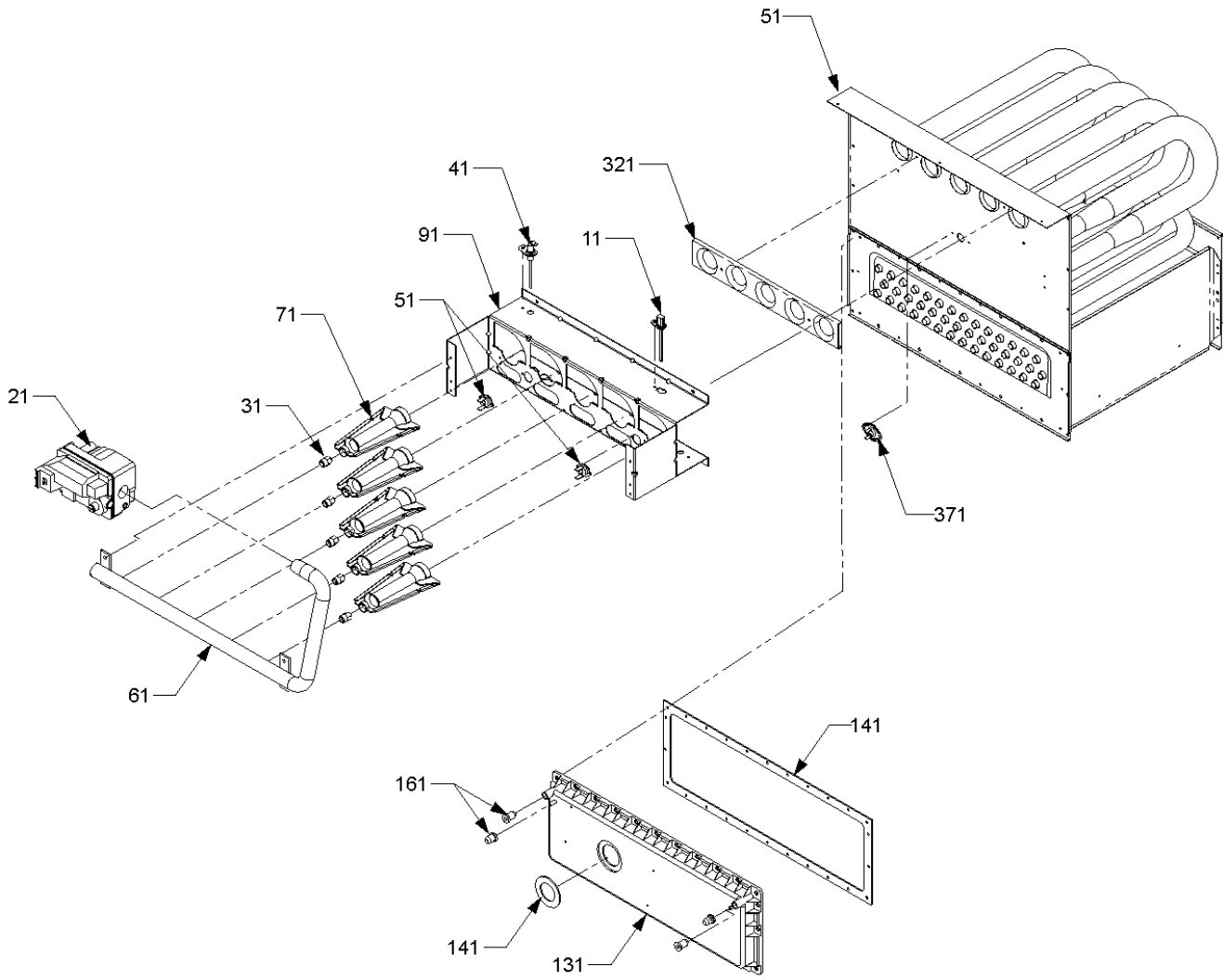


Heat Exchanger/Manifold/Gas Valve



Heat Exchanger/Manifold/Gas Valve

Ref Part No:	Description:	Ref. Part No:	Description:
<i>Image 1:</i>			
11	20165703S		IGNITOR
21	B1282628		GAS VALVE, MANIFOLD (36G)
31	10716003		ORIFICE (QTY AR)
41	0130F00010		FLAME SENSOR
51	0257F00158S		ASSY, HEAT EXCHANGER 3B (M2, M6)
51	0257F00161S		ASSY, HEAT EXCHANGER 3B (M1, M5)
51	0257F00159S		ASSY, HEAT EXCHANGER 4B (M3, M7)
51	0257F00162S		ASSY, HEAT EXCHANGER 5B (M4)
51	10123517		RESET LIMIT, MANUAL (M2, M4, M6)
51	10123517		RESET LIMIT, MANUAL (M1, M5)
51	10123534		RESET LIMIT, MANUAL (M3, M7)
61	20196401		MANIFOLD (M1, M5)
61	20196402		MANIFOLD (M2, M6)
61	20196403		MANIFOLD (M3, M7)
61	20196404		MANIFOLD (M4)
71	10735102S		BECKETT BURNER (QTY AR)
91	20190410		BURNER BRACKET 2B (M1, M5)
91	20190411		BURNER BRACKET 3B (M2, M6)
91	20190412		BURNER BRACKET 4B (M3, M7)
91	20190413		BURNER BRACKET 5B (M4)
131	20170801AS		FRONT COVER (M1, M5)
131	20170802AS		FRONT COVER (M2, M6)
131	20170902AS		FRONT COVER (M3, M7)
131	20171002AS		FRONT COVER (M4)
141	0154F00000P		COIL GASKET (M1, M2, M5, M6)
141	0154F00001P		COIL GASKET (M3, M7)
141	0154F00002P		COIL GASKET (M4)
161	M0326804		TUBE PLUG (QTY 3)
321	11072201		ORIFICE SHIELD (M1, M5)
321	11072202		ORIFICE SHIELD (M2, M6)
321	11072203		ORIFICE SHIELD (M3, M7)
321	11072204		ORIFICE SHIELD (M4)
371	20162904		PRIMARY LIMIT (M3, M7)
371	20162906		PRIMARY LIMIT (M1, M2, M5, M6)
371	20162907		PRIMARY LIMIT (M4)

Expanded Model Nomenclature

M1 - GCS90453BXA	P1257201F
M2 - GCS90703BXA	P1257202F
M3 - GCS90904CXA	P1257204F
M4 - GCS91155DXA	P1257206F
M5 - GCS90453BXA	P1257207F
M6 - GCS90703BXA	P1257208F
M7 - GCS90904CXA	P1257209F