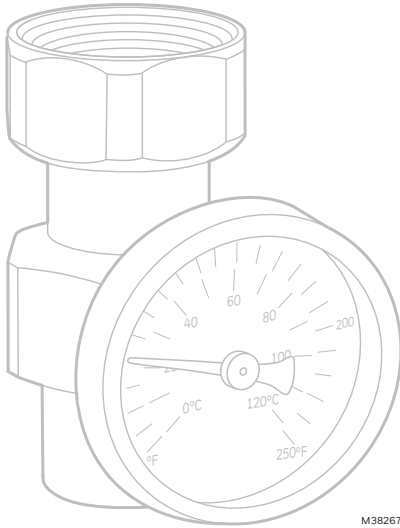




# AM-1 Series

## TEMPERATURE GAUGE ADAPTER

### INSTALLATION INSTRUCTIONS



1. Install thermowell with O-ring to the thermometer adapter body.
2. Tighten to 75 LB-IN  $\pm$  10 LB-IN. **DO NOT OVERTIGHTEN.**
3. Install the thermometer into the thermowell until seated and tighten the set screw to secure in place.

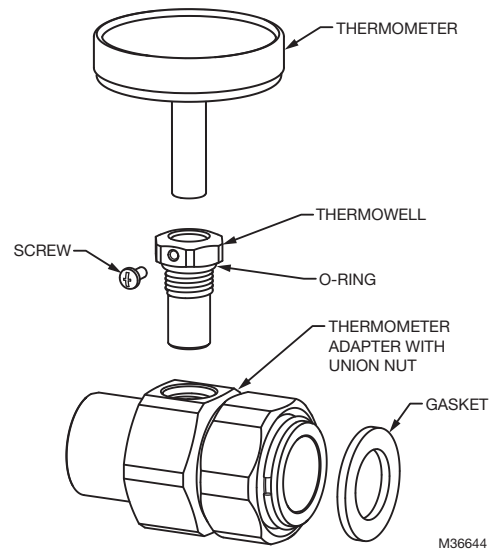


Fig. 1. Temperature gauge installation.

## SPECIFICATIONS

**Media Temperature Range:** 70°F-180°F (21°C-49°C)

**Lead Free Plumbing Code Compliance:** The wettable surfaces contain less than .25% of lead by weighted average

**Operating Pressure:** 150 psi (1034 kPa) maximum.

**Temperature Gauge Adapter:** Lead-free brass, EPDM o-ring, VR90 Gasket

### Union Sweat Fitting

Gauge adaptor fits AM-1 series mixing valves.  
Gauge dial is 2" and 2.5" diameter.

## Installation of Temperature Gauge Adapter

### IMPORTANT

*Union sweat connections must be soldered before the thermowell with O-ring and sealing gasket are installed. Install the thermowell with O-ring and sealing gasket after the joint has cooled.*

Table 1. AM-1 Series Replacement Kits.

Part No.	Description
AM1-TG100-US-LF/U	1/2" AM1 Temp Gauge Tail PC w/Sweat
AM1-TG101-US-LF/U	3/4" AM1 Temp Gauge Tail PC w/Sweat
AM1-TG102-US-LF/U	1" AM1 Temp Gauge Tail PC w/Sweat
TG200-UT/U	Thermometer, 2" Dial w/ Threaded Well
TG250-UT/U	Thermometer, 2.5" Dial w/ Threaded Well



Resideo Inc., 1985 Douglas Drive North,  
Golden Valley, MN 55422

www.resideo.com 38-00061EFS-02 M.S. Rev. 11-19 | Printed in United States

This product is manufactured by Resideo Technologies, Inc., Golden Valley, MN, 1-800-468-1502  
©2019 Resideo Technologies, Inc. All rights reserved.



38-00061EFS-02