



Excela-Flo Regulators



- MEC Regulators are tested under some of the harshest conditions possible—over 500,000 cycles flowing at 20% droop through all seasons on propane with ZERO failures.
- Each regulator produced requires extensive field evaluations in all climates conducted with ZERO failures!
- Must be installed by trained personnel in accordance with NFPA 58 & 54 state and local codes.
- MEC Regulators have a recommended service life of 25 years.
- 100% production tested in the USA.

LeranGasProducts.com • 800.727.1000

A Home Depot Company





FIRST-STAGE DOMESTIC REGULATOR

- Used to reduce LP gas tank pressure for a second-stage regulator
- First-stage regulators are red, indicating high outlet pressure
- Compact design is perfect for tight applications such as underground tank domes
- Features stainless steel components, fluorocarbon seat discs, molded lip-reinforced diaphragms and large aluminum precision machined orifice to minimize freeze-ups while providing superior downstream regulation and corrosion-resistance against weather or contaminated gas
- All compact regulators feature a gray dust cap

5-YEAR WARRANTY, 25 YEAR RECOMMENDED REPLACEMENT LIFE

ITEM #	MFG #	INLET	OUTLET	OUTLET PRESSURE RATING	BTU/HR
COMPACT					
298949	MEGR-1122H-AAJ	1/4" FNPT	1/2" FNPT	10 PSIG	1,000,000
2478779	MEGR-1222H-BGF	FPOL	1/2" FNPT	10 PSIG	1,000,000
FULL SIZE					
298958	MEGR-1622H-BGJ	1/2" FNPT	1/2" FNPT	10 PSIG	2,200,000
298959	MEGR-1622H-HGJ	FPOL	1/2" FNPT	10 PSIG	2,300,000
298960	MEGR-1622H-JGJ	FPOL	3/4" FNPT	10 PSIG	2,750,000
299314	MEGR-1622H-DGJ	3/4" FNPT	3/4" FNPT	10 PSIG	2,500,000
3554748	MEGR-1622HT-JGJ	FPOL TEE	3/4" FNPT	10 PSIG	2,750,000

SECOND-STAGE DOMESTIC REGULATOR

- Used to reduce outlet pressure from first-stage regulators
- Second-stage regulators are green, indicating low outlet pressure
- Compact design is perfect for lower BTU applications
- Features stainless steel inlet filter screen to reduce debris from passing through the regulators
- All compact regulators feature a gray dust cap

5-YEAR WARRANTY, 25 YEAR RECOMMENDED REPLACEMENT LIFE

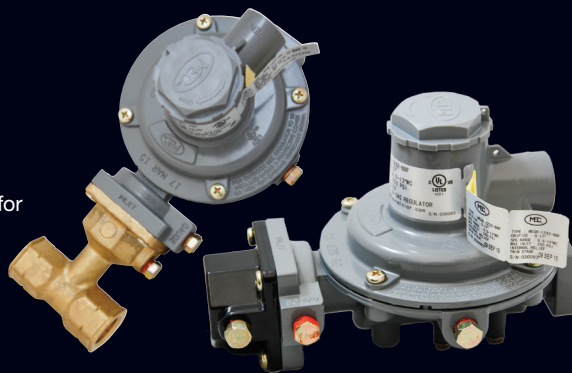


ITEM #	MFG #	INLET	OUTLET	OUTLET PRESSURE RATING	BTU/HR
COMPACT					
298950	MEGR-1222-BAF	1/2" FNPT	1/2" FNPT	11" W.C.	500,000
FULL SIZE					
298953	MEGR-1622-BCF	1/2" FNPT	1/2" FNPT	11" W.C.	710,000
298954	MEGR-1622-CFF	1/2" FNPT	3/4" FNPT	11" W.C.	1,300,000
2478783	MEGR-1642-DFF	3/4" FNPT	3/4" FNPT	11" W.C.	900,000
298955	MEGR-1622-DFF	3/4" FNPT	3/4" FNPT	11" W.C.	1,300,000
BACK MOUNT					
298965	MEGR-1652-CFF	1/2" FNPT	3/4" FNPT	11" W.C.	1,000,000
298966	MEGR-1652-DFF	3/4" FNPT	3/4" FNPT	11" W.C.	1,000,000
COMP/BKMNT					
2490431	MEGR-1252-BAF	1/2" FNPT	1/2" FNPT	11" W.C.	500,000

INTEGRAL TWIN-STAGE DOMESTIC REGULATOR

• Used to combine the first and second-stage regulator set-up into one convenient unit, converting tank pressure to 11" WC • Integral two-stage regulators are gray indicating low outlet pressure • Compact design is perfect for lower BTU applications and confined spaces • Recommended for installations with short piping distances, but provide the same advantages of two-stage regulation with a single unit • All compact regulators feature a gray dust cap

5-YEAR WARRANTY, 25 YEAR RECOMMENDED REPLACEMENT LIFE



ITEM #	MFG #	INLET	OUTLET	OUTLET PRESSURE RATING	BTU/HR
COMPACT					
298951	MEGR-1232-BBF	1/4" FNPT	1/2" FNPT	11" W.C.	450,000
298952	MEGR-1232-HBF	FPOL	1/2" FNPT	11" W.C.	450,000
3554745	MEGR-1232T-HBF	FPOL TEE	1/2" FNPT	11" W.C.	450,000
COMPACT/SIDE MOUNT					
3554746	MEGR-1232T-HBFXA	FPOL TEE	1/2" FNPT	11" W.C.	450,000
FULL SIZE					
298961	MEGR-1632-BCF	1/4" FNPT	1/2" FNPT	11" W.C.	700,000
298962	MEGR-1632-CFF	1/4" FNPT	3/4" FNPT	11" W.C.	950,000
3554747	MEGR-1632T-JFF	FPOL TEE	3/4" FNPT	11" W.C.	450,000
298963	MEGR-1632-HCF	FPOL	1/2" FNPT	11" W.C.	700,000
298964	MEGR-1632-JFF	FPOL	3/4" FNPT	11" W.C.	900,000



COMPACT TWIN-STAGE REGULATOR

• The MEGR-291 two-stage regulators are approved for use in portable applications and outdoor cooking appliances utilizing low pressure • These regulators feature all-zinc body construction, high and low 1/8" NPT pressure tap ports, an integral drip lip vent and optional 90-degree vent location • The MEGR-291 series two-stage regulator meets RVIA, UL and NFPA test requirements • Type: two-stage • Max. inlet pressure: 250 psi • Inlet connection: 1/4" FNPT • Outlet connection: 3/8" FNPT • Exterior finish: raw zinc/raw zinc • Diaphragm: fabric-reinforced molded with O-ring bonnet/body seal • Diaphragm type: internal relief - spring-loaded • Bonnet/body material: die-cast zinc • Listings: UL listed/UL 144 • Mounting holes: 3-1/2" on center • Pressure taps: 1/8" FNPT plugged

ITEM #	MFG #	VENT	INLET	OUTLET	BTU/HR
290807	MEGR-291	STRAIGHT	1/4" FNPT	3/8" FNPT	175,000
290808	MEGR-298	90° VENT	1/4" FNPT	3/8" FNPT	175,000

HIGH-CAPACITY COMPACT TWIN-STAGE REGULATOR

• The MEGR-291H High-Capacity Compact Integral Two-Stage Regulator is approved for use in nearly all portable applications and light-duty domestic home installations • Ideally suited for RV, outdoor appliances, cabins, seasonal homes, gas fire places, water heaters, ranges or the other moderate to low demand domestic home installations • These regulators feature all-zinc body construction, green powder-coated bonnets (identify high-capacity model), high and low 1/8" NPT pressure tap ports, an integral second-stage drip lip vent, and optional standard or 90-degree vent locations • The MEGR-291H series compact high capacity integral two-stage regulator meets RVIA, UL, and NFPA test requirements • Type: two-stage • Max. inlet pressure: 250 psi • Inlet connection: 1/4" FNPT • Outlet connection: 3/8" FNPT • Exterior finish: green powder-coat/raw zinc • Diaphragm: fabric reinforced molded with O-ring bonnet/body seal • Diaphragm type: internal relief - spring-loaded • Bonnet/body material: die-cast zinc



ITEM #	MFG #	INLET X OUTLET	BTU/HR
290809	MEGR-291H	1/4" FNPT X 3/8" FNPT	225,000



LOW-CAPACITY COMPACT REGULATOR

• The MEGR-291L series two-stage regulators are specifically intended for applications with low BTU demands but still require two-stage regulation • The Model MEGR-291L is ideally suited for RV, manufactured homes, cabins or other applications with one appliance or low BTU multiple appliance applications while still permitting maximum range of output pressure adjustment • Type: Two Stage • Max. Inlet Pressure: 250 psi • Inlet Connection: 1/4" FNPT • Outlet Connection: 3/8" FNPT • Exterior Finish: Raw Zinc / powder-coated • Diaphragm: Fabric Reinforced Molded with O-Ring Bonnet / Body Seal • Diaphragm Type: Internal Relief - Spring Loaded • Bonnet / Body Material: Die Cast Zinc • Listings: UL LISTED / UL 144 • Mounting Holes: 3-1/2" On Center • Pressure Taps: 1/8" FNPT Plugged

ITEM #	MFG #	VENT	INLET X OUTLET	BTU/HR
2490427	MEGR-291L	END	1/4" FNPT X 3/8" FNPT	120,000
2490429	MEGR-298L	90°	1/4" FNPT X 3/8" FNPT	120,000



HIGH-PRESSURE REGULATORS

• MEGR-6120 series meet a variety of applications in liquid or vapor service • High-pressure, non-relief regulators • Equipped with handwheel adjustment • MEGR-6121 series has tamper-resistant spring case and fixed setpoints • Liquid capacity: 3-5 GPH • Compact design for space limited installation • Brass materials not compatible with anhydrous ammonia service • Max inlet pressure: 250 psig • Finish: red powder-coat • Body/bonnet: die-cast aluminum • BTU range: 850,000 @ 15 PSI, 2,300,000 @ 50 PSI

25 YEAR RECOMMENDED REPLACEMENT LIFE

ITEM #	MFG #	INLET/OUTLET	OUTLET PRESSURE RATING
ADJUSTABLE			
135012	MEGR-6120-30	1/4" FNPT	1-30 PSI
136411 (DROPSHIP)	MEGR-164-6/222	3/4" FNPT	50 PSI
NON-ADJUSTABLE			
135015	MEGR-6121-05	1/4" FNPT	5 PSI

2 PSI INTEGRAL TWIN-STAGE DOMESTIC REGULATOR

- Twin-stage regulator • 2 psi
- Available in compact or full size

5-YEAR WARRANTY,
25 YEAR RECOMMENDED
REPLACEMENT LIFE



ITEM #	MFG #	INLET X OUTLET	OUTLET PRESSURE RATING	BTU/HR
COMPACT				
2478780	MEGR-1232E-HBH	FPOL X 1/2" FNPT	2 PSI	450,000
FULL SIZE				
2478781	MEGR-1632E-HCH	FPOL X 1/2" FNPT	2 PSI	700,000
2478782	MEGR-1632E-JFH	FPOL X 3/4" FNPT	2 PSI	900,000

2 PSI SERVICE REGULATOR

• Used to reduce outlet pressure from first-stage regulators (normally 10 psi) to a normal 2 psi • Used in conjunction with an LPG line regulator either at an indoor appliance or a remote manifold distribution header inlet • Features stainless steel inlet filter screen to reduce debris from passing through the regulator



5-YEAR WARRANTY, 25 YEAR RECOMMENDED REPLACEMENT LIFE

ITEM #	MFG #	INLET/OUTLET	OUTLET PRESSURE RATING	BTU/HR
FULL SIZE				
298956	MEGR-1622E-BCH	1/2" FNPT	2 PSIG	1,100,000
298957	MEGR-16w22E-DCH	3/4" FNPT	2 PSIG	1,400,000
BACK MOUNT				
298967	MEGR-1652E-DFH	3/4" FNPT	2 PSIG	1,300,000

LOW-PRESSURE SINGLE-STAGE APPLIANCE REGULATORS

• Used in small portable applications and outdoor cooking appliances utilizing low-pressure • Not approved for RV use • Orifice diameter: .059 • BTU capacity: 140,000 BTU based on 25 PSI inlet @ 9" WC delivery pressure • Max inlet pressure: 250 psi • Finish: green powder-coat • Diaphragm: molded with O-ring bonnet/body seal - internal relief/spring-loaded • Bonnet/body material: die-cast aluminum • Mounting holes: 3-1/2" on center



ITEM #	MFG #	VENT	INLET	OUTLET	OUTLET PRESSURE RATING	BTU/HR
135027	MEGR-230-1618	90°	BLACK F.QCC	3/8" FNPT	11" W.C.	140,000
135022	MEGR-230	OVER OUTLET	1/4" FNPT	3/8" FNPT	11" W.C.	140,000
135028	MEGR-231	90°	HARDNOSE F POL	3/8" FNPT	11" W.C.	140,000
135025	MEGR-230-9	OVER OUTLET	SN .9GPM EX FLOW POL	3/8" FNPT	11" W.C.	140,000

AUTOMATIC CHANGEOVER REGULATOR

• Used to combine the first and second-stage regulator set-up into one converting tank pressure to 11" WC • Prevent gas outages by switching supply cylinders over to the reserve cylinder automatically when the primary cylinder is near empty

5-YEAR WARRANTY, 25 YEAR RECOMMENDED REPLACEMENT LIFE



ITEM #	MFG #	INLET X OUTLET	OUTLET PRESSURE RATING	PRIMARY BTU	AUXILLIARY BTU
FULL SIZE					
298970	MEGR-175CS61622-BCF	1/4" IF X 1/2" FNPT	11" W.C.	650,000	570,000
2498858	MEGR-175CS61622E-BCH	1/4" IF X 1/2" FPT	2 PSI	625,000	525,000
LOW CAPACITY					
2490428	MEGR-253L	1/4" IF X 3/8" FPT	11" W.C.	150,000	100,000
STANDARD					
2471616	MEGR-253	1/4" IF X 3/8" FNPT	11" W.C.	225,000	150,000
HIGH CAPACITY					
2471617	MEGR-253H	1/4" IF X 3/8" FNPT	11" W.C.	350,000	200,000

SECOND-STAGE/LOW-PRESSURE INDUSTRIAL REGULATOR

• Large capacity, low-pressure second-stage units • use MEGR-289H relief valve in downstream system for high-capacity installations • Has a limited capacity internal relief valve used in conjunction with MEGR-1627 and 1630 HP regulators • Max inlet pressure 25 psig • Body material: iron • Disk/diaphragm and O-ring: fabric-reinforced nitrile • Type: adjustable/inches WC or PSI

25 YEAR RECOMMENDED REPLACEMENT LIFE



ITEM #	MFG #	INLET/OUTLET	BTU/HR @ 25 PSI INLET	BTU/HR @ 10 PSI INLET	OUTLET PRESSURE RATING	ORIFICE SIZE
136427 (DROPSHIP)	MEGR-CS1200 IR6EC6	1-1/4" FNPT	3,100,000	2,800,000	6"-14" W.C	1/2"
136428 (DROPSHIP)	MEGR-S1202G-BNC	1-1/2" FNPT	14,000,000	10,800,000	9"-18" W.C	1"

REGULATOR COMPARISON CHART

LERAN ITEM #	MEC PART#	REGULATOR DESCRIPTION	BTU	FISHER #	REGO #	CAVAGNA #	SHERWOOD#
--------------	-----------	-----------------------	-----	----------	--------	-----------	-----------

FIRST STAGE

298949	MEGR-1122H-AAJ	Compact First Stage 1/4" FNPT Inlet x 1/2" FNPT Outlet - 10PSI Outlet	1,000,000	R122H-AAJ	LV3403TR	984HP-04	N/A
2478779	MEGR-1222H-BGF	Compact First Stage F. POL Inlet X 1/2" FNPT Outlet- 10 PSI	1,000,000	N/A	N/A	988HP-09	N/A
298958	MEGR-1622H-BGJ	Full Size First Stage 1/2" FNPT x 1/2" FNPT Outlet - 10PSI Outlet	2,200,000	R622H-BGJ	LV4403TR4	988HP-04	N/A
298959	MEGR-1622H-HGJ	Full Size First Stage F.POL Inlet x 1/2" FNPT Outlet - 10PSI Outlet	2,300,000	R622H-HGJ	LV4403TR9	988HP-05	800HPS1
299314	MEGR-1622H-DGJ	Full Size First Stage 3/4" FNPT x 3/4" FNPT Outlet - 10PSI Outlet	2,500,000	R622H-DGJ	N/A	988HP-01	N/A
298960	MEGR-1622H-JGJ	Full Size First Stage F.POL Inlet x 3/4" FNPT Outlet - 10PSI Outlet	2,750,000	R622H-JGJ	LV4403TR96	988HP-06	800HPS3

SECOND STAGE

2490431	MEGR-1252-BAF	Compact Second Stage 1/2" FNPT Inlet x 1/2" FNPT Outlet, Backmount	450,000	N/A	LV3403BR	988LP-03	N/A
298950	MEGR-1222-BAF	Compact Second Stage 1/2" FNPT Inlet x 1/2" FNPT Outlet - 11"WC Outlet	500,000	R222-BAF	LV3403B4	988LP-03	N/A
3558492	MEGR-1252-CFF	Compact Second Stage 1/2" FNPT Inlet x 3/4" FNPT Outlet, Backmount	650,000	N/A	LV3403BR	988LP-04	N/A
298953	MEGR-1622-BCF	Full Size Second Stage 1/2" FNPT Inlet x 1/2" FNPT Outlet - 11"WC Outlet	710,000	R622-BCF	LV4403B4	998LP-22	800HC
298954	MEGR-1622-CFF	Full Size Second Stage 1/2" FNPT Inlet x 3/4" FNPT Outlet - 11"WC Outlet	1,300,000	R622-CFF	LV4403B46	998LP-01	800JC
298955	MEGR-1622-DFF	Full Size Second Stage 3/4" FNPT Inlet x 3/4" FNPT Outlet - 11"WC Outlet	1,300,000	R622-DFF	LV4403B66	998LP-02	800NC
2478783	MEGR-1642-DFF	Full Size Second Stage 3/4" FNPT Inlet X 3/4" FNPT Outlet, Side Outlet	900,000	R642-DFF	LV4403B66RA	988LP-05	N/A
298965	MEGR-1652-CFF	Full Size BM Second Stage 1/2" FNPT Inlet x 3/4" FNPT Outlet - 11"WC Outlet	1,000,000	R652-CFF	LV4403B46R	998LP-03	800JBC
298966	MEGR-1652-DFF	Full Size BM Second Stage 3/4" FNPT Inlet x 3/4" FNPT Outlet - 11"WC Outlet	1,000,000	R652-DFF	LV4403B66R	998LP-04	800NBCSR

2 PSI SERVICE REGULATOR

2478780	MEGR-1232E-HBH	Integral Two Stage 2 PSI Compact Regulator 1/4" FNPT Inlet X 1/2" FNPT Outlet	500,000	R232E-BBH	N/A	N/A	N/A
2478781	MEGR-1232E-HCH	Integral Two Stage 2 PSI Full Size Regulator F.POL Inlet x 1/2" FNPT Outlet	1,025,000	R632E-HCH	LV404Y9	N/A	N/A
2478782	MEGR-1232E-JFH	Integral Two Stage 2 PSI Full Size Regulator F.POL Inlet x 3/4" FNPT Outlet	1,050,000	R632E-JFH	LV404Y9	N/A	N/A
298956	MEGR-1622E-BCH	Full Size Second Stage 1/2" FNPT Inlet x 1/2" FNPT Outlet - 2PSI Outlet	1,100,000	R622E-BCH	LV4403Y4	998TP-08	800MP
298957	MEGR-1622E-DCH	Full Size Second Stage 3/4" FNPT Inlet x 3/4" FNPT Outlet - 2PSI Outlet	1,400,000	R622E-DCH	LV5503Y6	998TP-06	N/A
298967	MEGR-1652E-DFH	Full Size BM Second Stage 3/4" FNPT Inlet x 3/4" FNPT Outlet - 2PSI Outlet	1,300,000	R652E-DFH	LV4403Y46R	998TP-07	N/A

INTERGRAL TWO-STAGE DOMESTIC

298951	MEGR-1232-BBF	Compact 1/4" FNPT Inlet x 1/2" FNPT Outlet - 11"WC Outlet	450,000	R232-BBF	LV404B34	988TW-11	920
298952	MEGR-1232-HBF	Compact F.POL Inlet x 1/2" FNPT Outlet - 11"WC Outlet	450,000	R232-HBF	LV404B39	988TW-13	921
298961	MEGR-1632-BCF	Full Size 1/4" FNPT Inlet x 1/2" FNPT Outlet - 11"WC Outlet	700,000	R632-BCF	LV404B4	988TW-15	N/A
298962	MEGR-1632-CFF	Full Size 1/4" FNPT Inlet x 3/4" FNPT Outlet - 11"WC Outlet	950,000	R632-CFF	LV404B46	998TW-11	N/A
298963	MEGR-1632-HCF	Full Size F.POL Inlet x 1/2" FNPT Outlet - 11"WC Outlet	700,000	R632-HCF	LV404B9	988TW-17	N/A
298964	MEGR-1632-JFF	Full Size F.POL Inlet x 3/4" FNPT Outlet - 11"WC Outlet	900,000	R632-JFF	LV404B96	998TW-13	N/A

AUTOMATIC CHANGEOVER

2490428	MEGR-253L	Automatic Changeover Low Capacity 1/4" Inv Flare Inlets x 3/8" FNPT Outlet	100,000	N/A	7525B34	N/A	N/A
2471616	MEGR-253	Automatic Changeover 1/4" Inv Flare Inlets x 3/8" FNPT Outlet	150,000	N/A	7525B34	924N	N/A
2471617	MEGR-253H	Automatic Changeover High Capacity 1/4" Inv Flare Inlets x 3/8" FNPT Outlet	200,000	N/A	7525B4	N/A	N/A
298970	MEGR-175CS61622-BCF	Automatic Changeover Full Size 1/4" Inv Flare Inlets x 1/2" FNPT Outlet	650,000	R962-31	7525B4	524AC	PRI1776AFD1

LIGHT COMMERCIAL SECOND STAGE

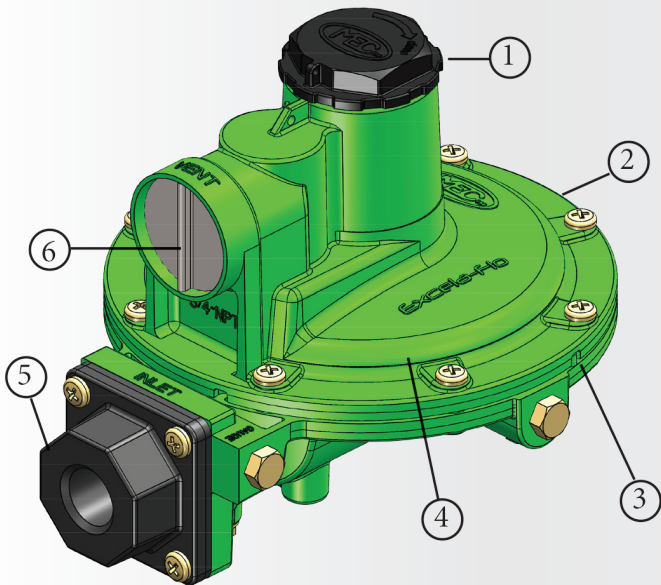
298968	MEGR-1HSRL-BFC	3/4" FNPT Inlet x 3/4" FNPT Outlet - 11"WC Outlet	2,000,000	HSRL-BFC	N/A	998LP-10	N/A
298969	MEGR-1HSRL-CFC	1" FNPT Inlet x 1" FNPT Outlet - 11"WC Outlet	2,500,000	HSRL-CFC	N/A	998LP-09	N/A

TEE BLOCK REGULATOR

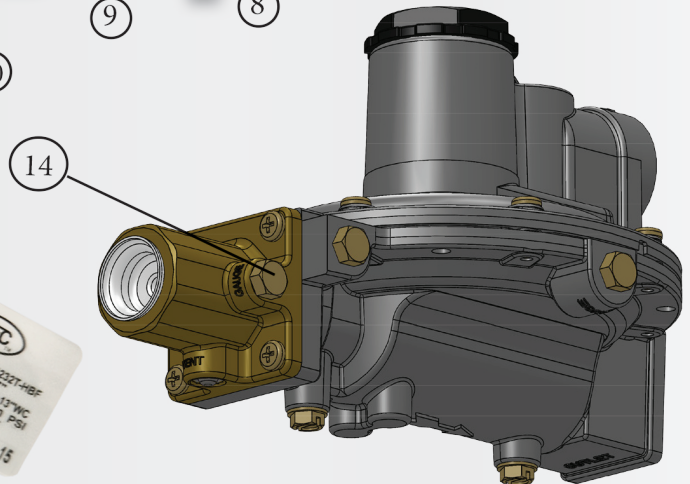
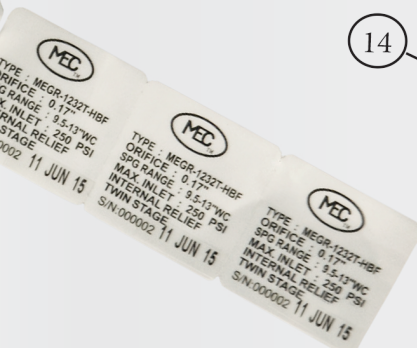
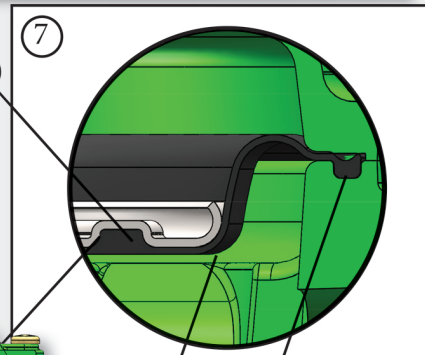
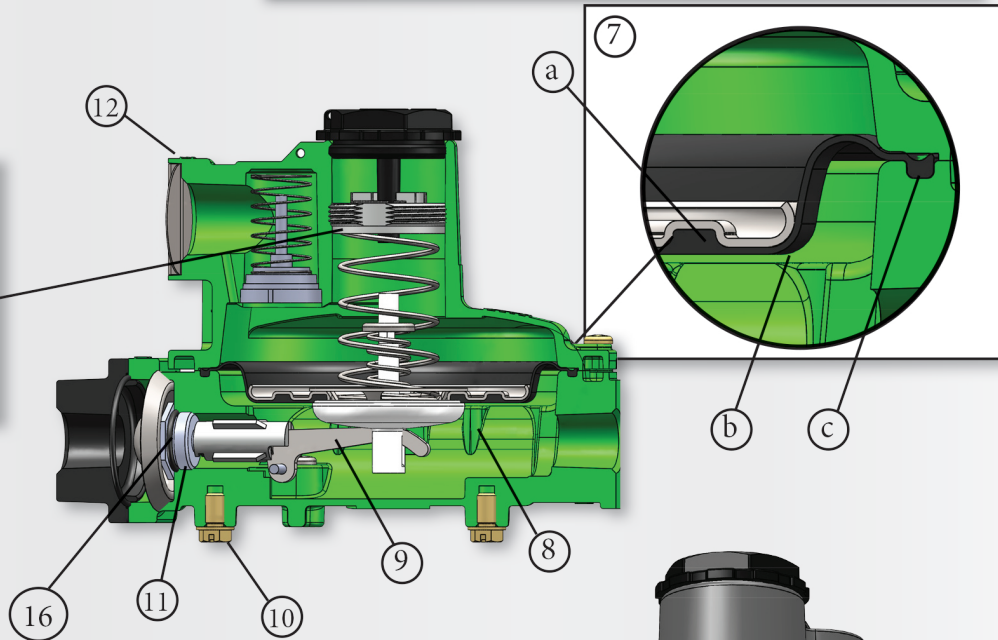
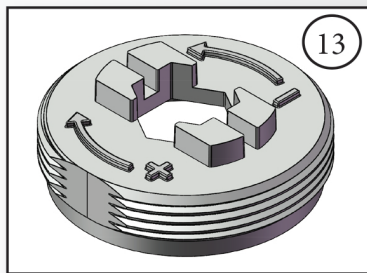
3554745	MEGR-1232T-HBF	Compact Twin Stage F POL Tee Inlet x 1/2" Outlet	450,000	N/A	N/A	N/A	N/A
3554746	MEGR-1232T-HBFXA	Compact Twin Stage F POL Tee Inlet x 1/2" Outlet, POL Tee @ 90 Degrees	450,000	N/A	N/A	N/A	N/A
3554747	MEGR-1632T-JFF	Full Size Twin Stage F POL Tee Inlet x 3/4" Outlet	450,000	N/A	N/A	N/A	N/A
3554748	MEGR-1622HT-JGJ	Full Size First Stage F POL Tee Inlet x 3/4" Outlet 10 PSI	2,750,000	N/A	N/A	N/A	N/A

Excela-flo

Exclusive Features and Benefits



1. Dust cap with hex and finger grips
 2. Full round flange for evenly distributed diaphragm compression
 3. Locating tabs to ensure proper vent relocation
 4. Premium powder coat finish inside & outside body
 5. Large wrench flats that fit standard wrenches
 6. Ribbed vent screen for easy removal
 7. fabric reinforced molded diaphragm
 - a. Interlocking diaphragm and diaphragm plate.
 - b. Rounded edges on diaphragm plate
 - c. Sealing and locating bead on diaphragm
 8. Integrated travel stops - to prevent damage to diaphragm
 9. Stainless steel lever design
 10. Pre-installed mounting screws for installation convenience
 11. Large precision machined aluminum orifice
 12. Large drip vent
 13. Adjustment direction indicator
 14. Plugged high pressure gauge port on all Integral Two Stage Regulators
 15. 3 part tear off data label for installation records
 16. GLT viton seats for maximum protection against contamination
- * Some Features - Patent Pending





We also carry a full line of products to support your MEC regulator installation and repair needs:

LIGHT COMMERCIAL SECOND-STAGE REGULATOR



- Used to reduce outlet pressure from first-stage regulators
- Offers a heavy-duty cast-iron body with a universal body to bonnet union for fast relocation of inlet to outlet vent location

5-YEAR WARRANTY, 25 YEAR RECOMMENDED REPLACEMENT LIFE

ITEM #	MFG #	INLET/OUTLET	OUTLET PRESSURE RATING	BTU/HR
298968	MEGR-1HSRL-BFC	3/4" FNPT	11" W.C.	2,000,000
298969	MEGR-1HSRL-CFC	1" FNPT	11" W.C.	2,500,000



TEST GAUGES

ITEM #	MFG #	SIZE	PKG.
GAS TEST GAUGE BLOCK- 0-30 PSI			
511008		3/4" FNPT	BOX
LEAK TEST KIT W/ SCHRADER VALVE			
2498776	QTG16A		KIT
LEAK TEST KIT W/ 1/4" FLARE VALVE			
2498777	QTG16B		KIT
MNPT STANDARD PRESSURE TEST SCHRADER VALVE			
2490413	MEJ607-02	1/4"	
2490414	MEJ608B-02	1/8"	

UNIVERSAL SLOTTED H STYLE REGULATOR BRACKET

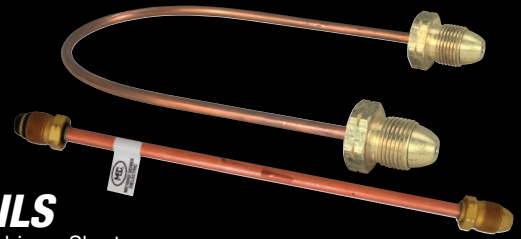
- Anodized stamping for maximum strength and durability
- Slotted and elongated regulator mounting holes

ITEM #	MFG #
3552335	MEGR-100C



PIGTAILS

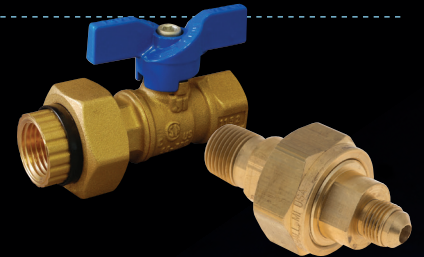
- 1/4" OD tubing
- Short nipple
- Hex Nut: 7/8"



ITEM #	MFG #	LENGTH
POL X POL		
166412	ME1664-12	12"
1664	ME1664-20	20"
POL X 1/4" MNPT		
166052	ME1669-20	20"

ITEM #	MFG #	LENGTH
POL X 1/4" INVERTED FLARE		
1665	ME1665-20	20"
POL X POL DIELECTRIC		
282122	ME1664D-12	12"
282123	ME1664D-20	20"

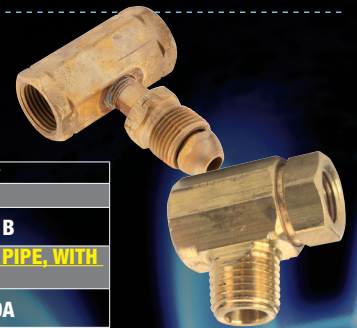
DIELECTRIC BALL VALVE & UNION



ITEM #	MFG #	SIZE
283068	101-403DU	1/2" FNPT x 1/2" FNPT
154675	ME690-4-10	1/2" MNPT x 5/8" Male Flare

TEE BLOCKS

ITEM #	MFG #
POL INLET X POL MALE OUTLET	
138NC	ME1701B
1/4" INVERTED FLARE X 1/4" MALE PIPE, WITH CHECK	
138-I	ME1700A
FPOL X FPOL X FPOL, 1-1/8" HEX	
2478742	ME1704B



REGULATOR VENT RELOCATION KIT - FLEX VENT

- The MEC Flex-Vent™ provides a safe and easy solution to vent LP Gas regulators away from open sources of ignition or other potential fire hazards
- Meets all requirements of the new flexible material allowance in the 2011 NFPA-58, section 5.8.3.1 (3)
- Durable, UV stable flexible PVC hose material suitable for use with LP Gas vapor
- 3/4" NPT swivel inlet for easy installation
- Standard 90° vent assembly with screen
- Mounting clamps and coated masonry screws supplied
- Crimped ends for maximum durability

25 YEAR RECOMMENDED REPLACEMENT LIFE

ITEM #	MFG #	LENGTH
124041	ME960-120	120"

LeranGasProducts.com • 800.727.1000

A Home Depot Company

