

HSG200/400 PARTS LIST CONT.

Item	Part No.	Description
32	62909-001	8" (203.2mm) Ignition Wire - S89E & S89F controls only; 6", 6 1/4" Burner
	62909-003	14" (355.6mm) Ignition Wire- S89E & S89F controls only; 9", 12", 15" Burner
	64095-001	Ignition Wire - 500mm Cable (230V 50/60Hz) Use with 64051-001 Ignition Transformer
	64460-001	8" Noise Suppression Ignition Wire, Use with Wayne controls; 6", 6 1/4" Burner
	64460-002	14" Noise Suppression Ignition Wire, Use with Wayne control; 9", 12", 15" Burner
33	62404-002	Top Plate/Housing Cover
34	62304	Strain Relief Bushing/Ignition Wire
	62402-KIT	Includes items 35 - 38
35	62402-001	Orifice Housing
36	62410-001	Orifice Spring
37	62401-001	Orifice Gasket
38	62385-001	Orifice Cap
39	-----	Orifice (Location Reference Only) See Item 41
40	62374-004	Gas Valve Honeywell VR8305M 4801
41	62459-001	Orifice Package -HSG200 (not shown)
	62459-002	Orifice Package -HSG400 (not shown)
42	21760-011	Option Pedestal Mounting (not shown)
43	64635-001	Mounting Plate, Wayne Control

HSG EXPLODED VIEWS

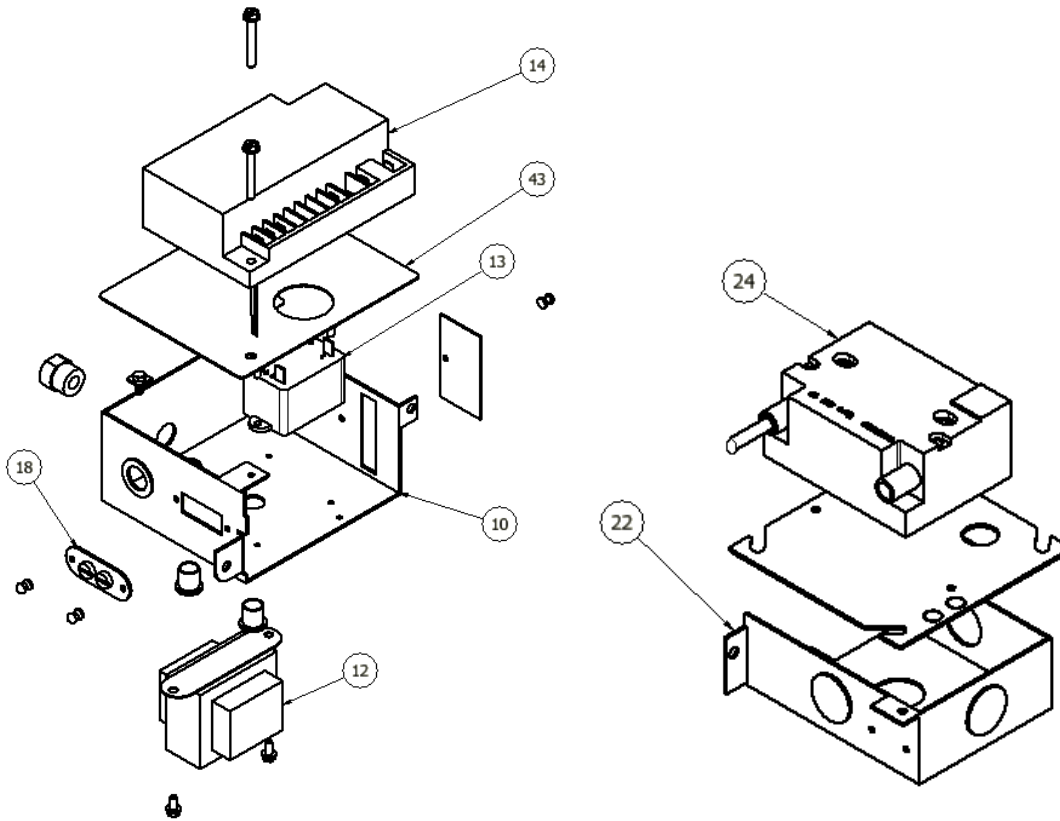


Figure 29: Junction Box Assemblies Exploded

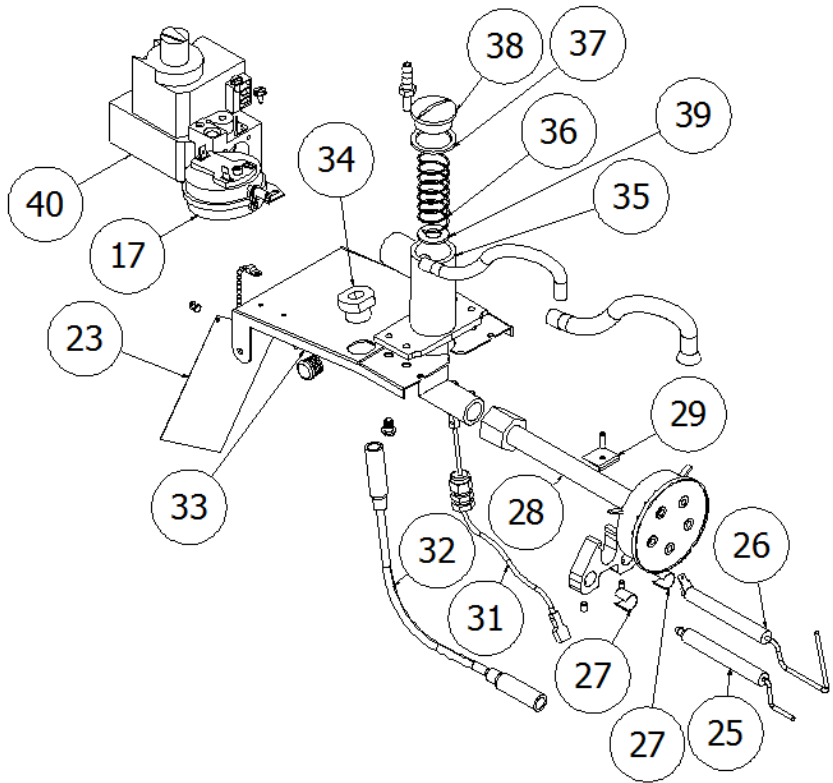


Figure 31: Gun Assembly Exploded

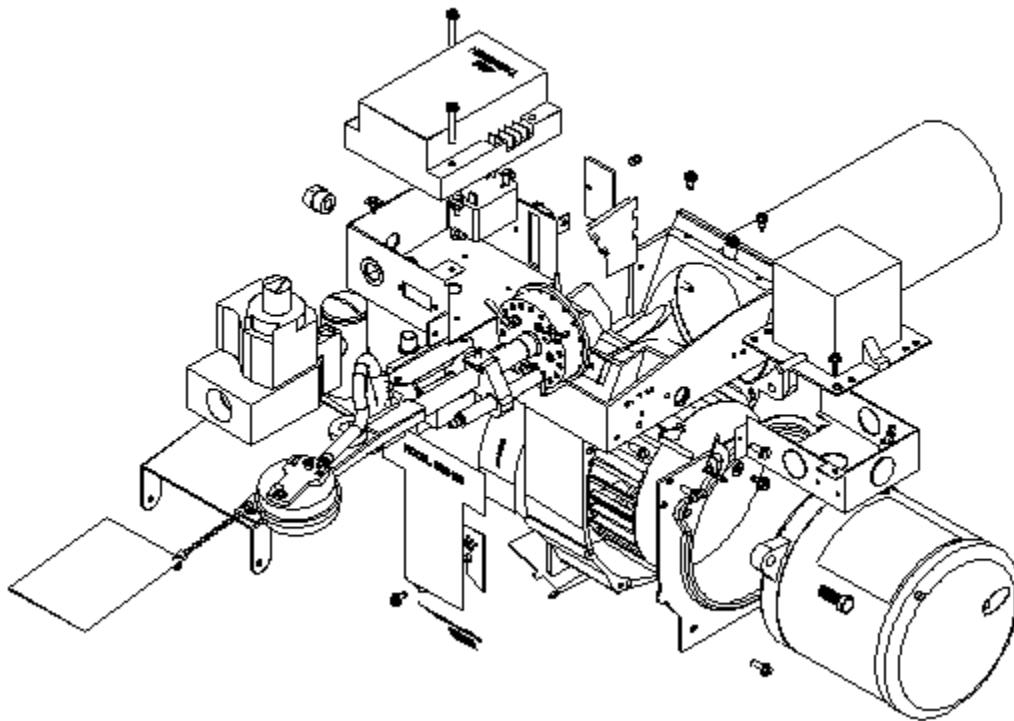


Figure 32: HSG Series Burner Exploded